



Technical Documentation

# **WASHING MACHINE**

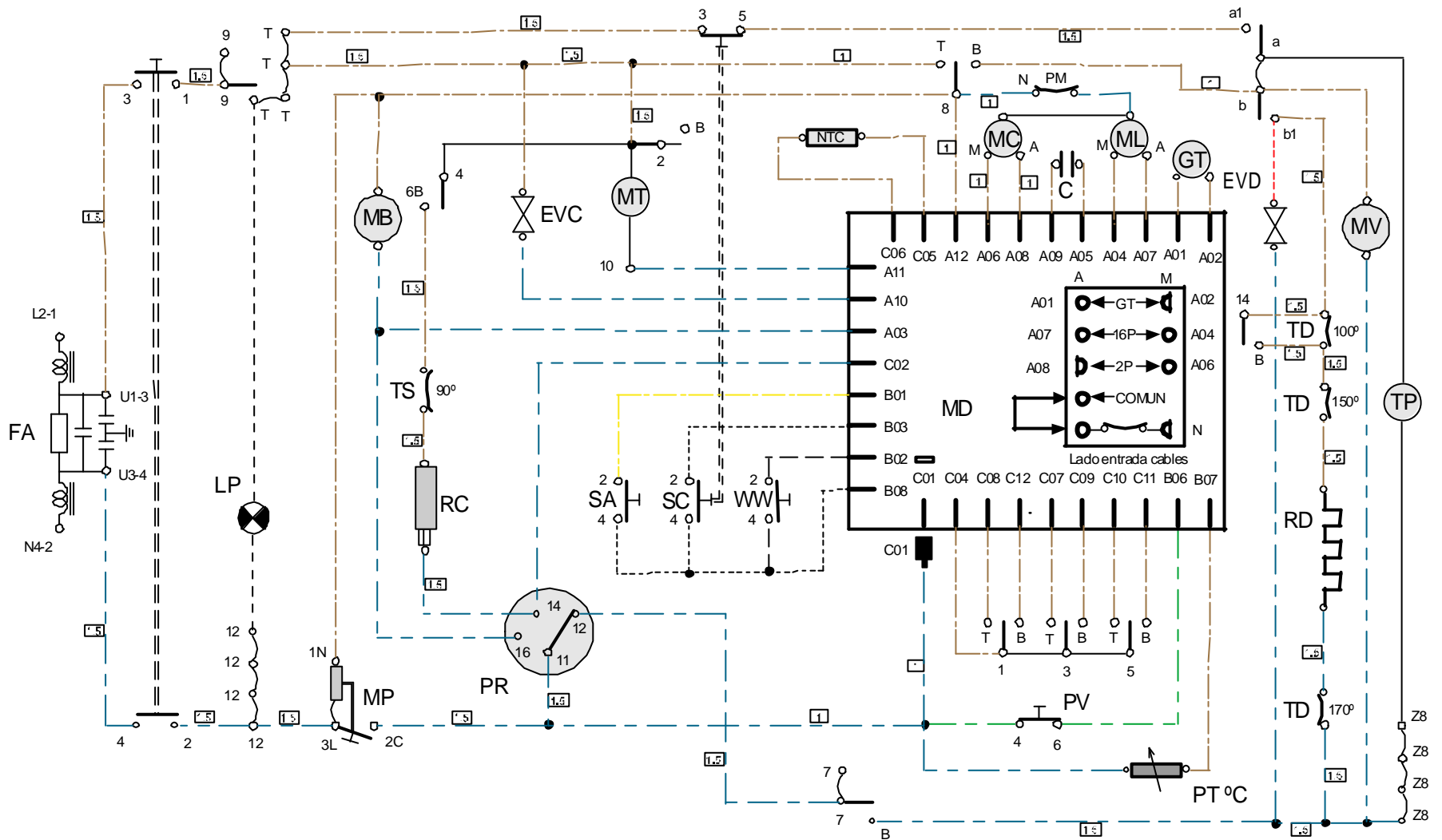
*SW5L 30D*

N° : 014596002 / 996034000  
 MODEL : EdgeStar SW5L 30D

Velocidad de centrifugado	Máx. Spin speed	Máx. tours	<b>1000 R.p.m.</b>
Tipo de motor	Motor type	Type du Moteur	<b>2 16 DT</b>
Módulo electrónico	Electronic module	Module électronique	<b>DMPA</b>
Programador	Programmer	Programmateur	-
Voltage / Frecuencia	Voltage and Hertz	Voltege et Hertz	<b>115 V. - 60 Hz.</b>
Potencia maxima	Maximum absorbed power	Puissance maximum absorbé	<b>1600 W.</b>
Potencia resist. Calent.	Heating element power	Résistance de chauffage	<b>1350 W.</b>
Fusible	Protective fuse	Thermo fusible	<b>16 A.</b>
Capacidad del tambor	Drum capacity	Capacité du tambour	<b>47 L.</b>
Capacidad de lavado	Wash capacity	Capacité de charge	<b>5,5 Kg.</b>
Capacidad de secado	Drying capacity	Capacité d' éssorage	<b>2,5 Kg.</b>
Nº de compartimientos jabonera	Nº detergent compartments	Nombre de bac à lessive	<b>4 Ud.</b>
Nº de programas	Numbers of programmes	Nombre de programmes	<b>17+2 Ud.</b>
Selector de temperatura	Temperature selector	Termostat	<b>X</b>
Selector de centrifugado	Spin speed selector	Vitesse variable	-
Temporizador	Drying time selector	Temp de séchage	<b>X</b>
Paro / marcha	On / Off.	Marche / arrêt	<b>X</b>
Lavado en frio	Cold wash	Lavage à froid	-
Sin centrifugado	No spin	Suppresion d' essorage	<b>X</b>
1/2 carga	Half load	Demi charge	-
Eco 60°	Eco 60°	Eco 60°	-
Super aclarado	Extra rinse	Rançage supplémentaire	<b>X</b>
Antiarrugas	Rinse hold	Arrêt cuve pleine	<b>X</b>
550 / 850 R.p.m.	550 / 850 spin	550 / 850 tours	-
550 / 1000 R.p.m.	550 / 1000 spin	550 / 1000 tours	<b>X</b>
Lavado 60° + secado (5kg.)	Wash 60° + Dry (5kg.)	Lavage 60° + sechage (5kg.)	<b>120min.90+90</b>
Consumo energía	Energy consumption	Consommation d' énergie	<b>1,25Kwh.1,73+1,73</b>
Consumo de agua	Water consumption	Consommation d'eau	<b>50 L. 38+38</b>
Eficiencia de centrifugado	Spin efficiency	Efficaté d'essorage	<b>56 % H.R.</b>
Clase eficiencia energética	Energy efficiency class	Classe énergétique	-
Clase eficiencia lavado	Wash efficiency index	Classe de lavage	-
Clase eficiencia centrifugado	Spin efficiency class	Classe d'essorage	-
Peso lavadora embalada	Gross weight packed	Poids brut emballé	<b>84 Kg.</b>
Peso lavadora sin embalage	Net weight unpacked	Poids net sans emballage	<b>82,5 Kg.</b>
Alto, ancho, fondo embalada	Height, Width, Depth packed	Heuteur - Largeur - Profondeur emb.	<b>90 X 65 X 58 cm.</b>
Alto, ancho, fondo sin embalar	Height - Width - Depth unpacked	Heuteur - Largeur - Profondeur sans	<b>85 X 60 X 55 cm.</b>

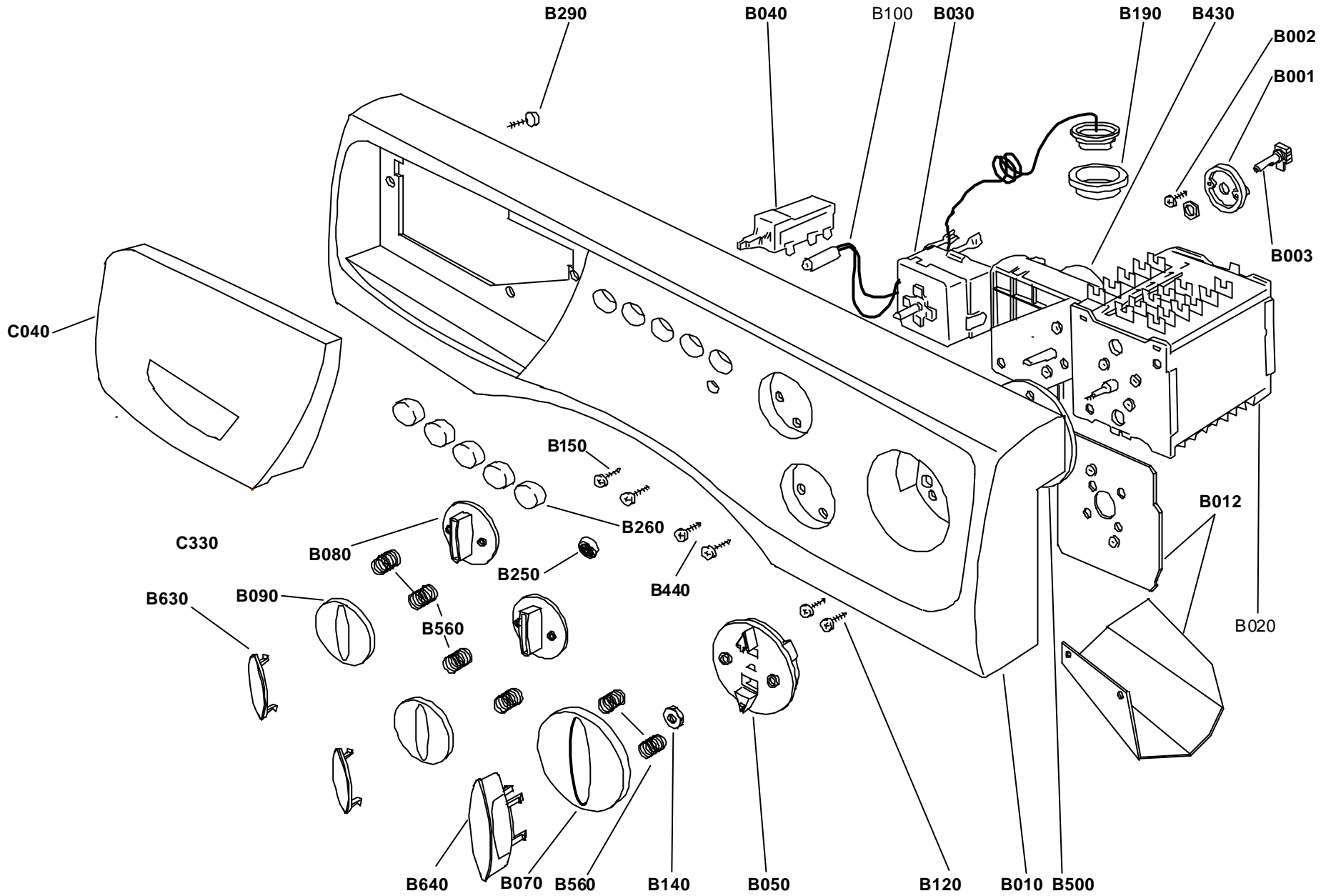
CAN	FUNCTION	CONT	IMPUL	5	10	15	20	25	30	35	40	45	50	55	60	A	V
11	DRY	7	2B													16	250
10	HALF DRY	13	13B													16	250
9	DIRECT MODULE EMPTY	8	8B													4	250
8	CODE 2 CODE 1	5	5B													4	250
7	HEATING	4	4B													16	250
6	VALVE HOT	2	2B													4	250
5	CODE 4 CODE 3	3	3B													4	250
4																	
3																4	250
2	CODE 5 CODE 6	1	1B													4	250
1	PUSH PULL	9	9B													16	250

Sw530D  
516015701  
460612720

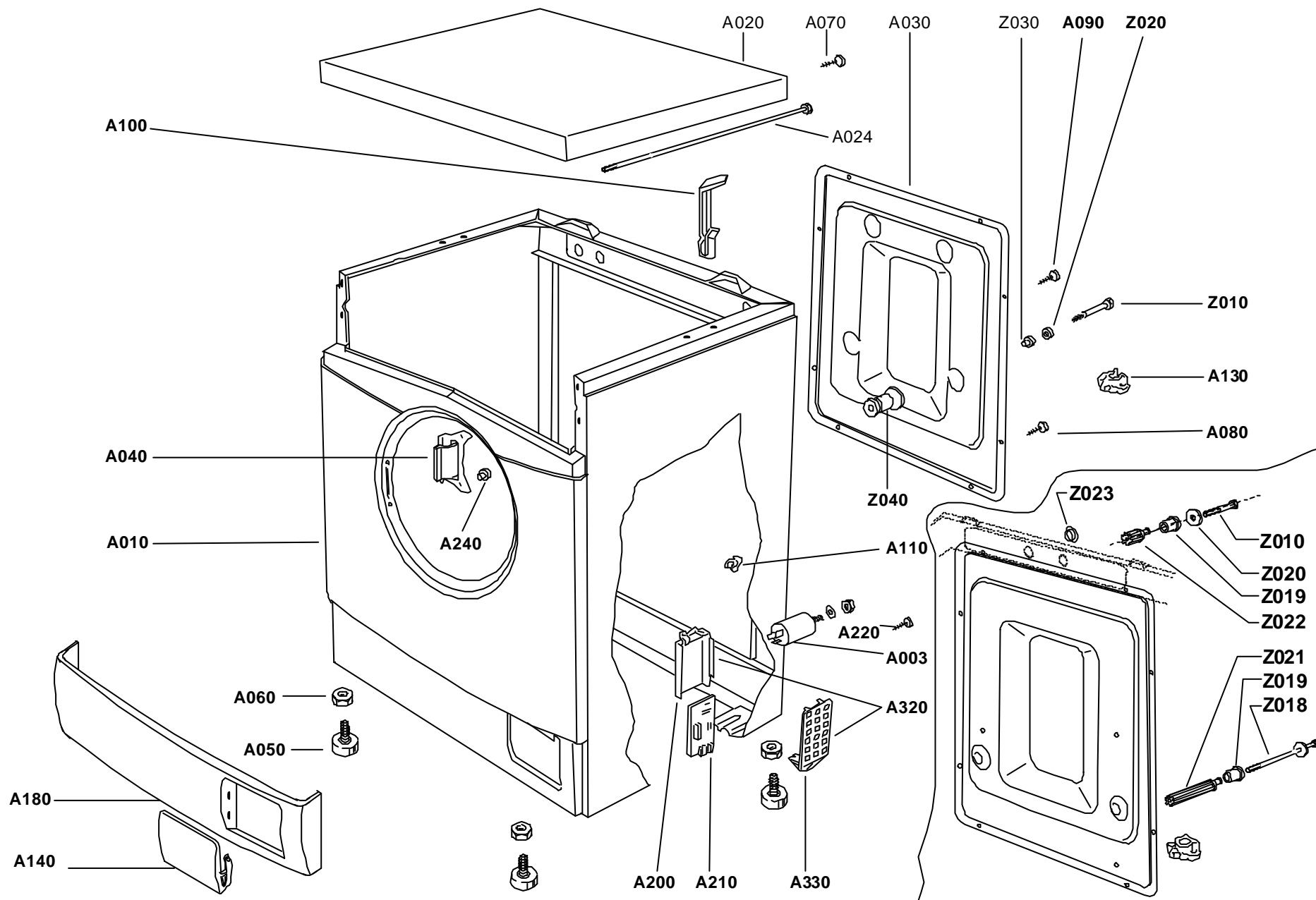


EVD	Electrovalvula dry	Dry valve	Electrovanne sechage	NTC	Termoresistencia NTC	NTC	Thermoresistance
FA	Filtro linea	Interference filter	Filtre antiparasitaire	PR	Presostato	Pressure switch	Presostat
ON/OFF	Pulsador paro / marcha	On / off push button	Touche marche / arret	PTM	Protector térmico motor	Thermic protector motor	Protecteur thermique moteur
C	Condensador	Capacitor	Condensateur	TP	Temporizador	Drying timer	Sechage
EVC	Electrovalvula fria	Cold valve	Electrovanne froid	RC	Resistencia calentamiento	Heating element	Resistance chauffage
GT	Gene rador ta cometrico	Tachomet.generator	Generateur tachometrique	SA	Pulsador super aclarado	Super rinse push- button	Touche super rincage
LP	Lámpara piloto	Pilot lamp	Lampe temoin	SC	Pulsador exclusion centrifugado	No spin push buton	Touche supression essorage
MB	Motobomba	Drain pump	Motopompe	TS90	Termostato fijo 90°	Klixon 90°	Thermostat fixe 90°
MC	Motor centrifuga	Spin motor	Moteur essorage	RD	Resistencia dry	Drying heating element	Resistance sechage
MD	Modulo	Control unit	Module	TD 170	Termostato dry 170°	Drying klixon 170°	Thermostat 170°
ML	Motor lavado	Wash motor	Moteur lavage	TD 150	Termostato dry 150°	Drying klixon 150°	Thermostat 150°
MP	Micro puerta	Door lock	Micro porte	TD 100	Termostato dry 100°	Drying klixon 100°	Thermostat 100°
MT	Motor timer	Timer motor	Moteur programmeur	TP	Temporizador	Drying timer	Sechage
MV	Moto ventilador	Drying fan motor	Motoventilateur	TR	Thermo stato regulable	Ajustable thermostat	Thermostat réglable

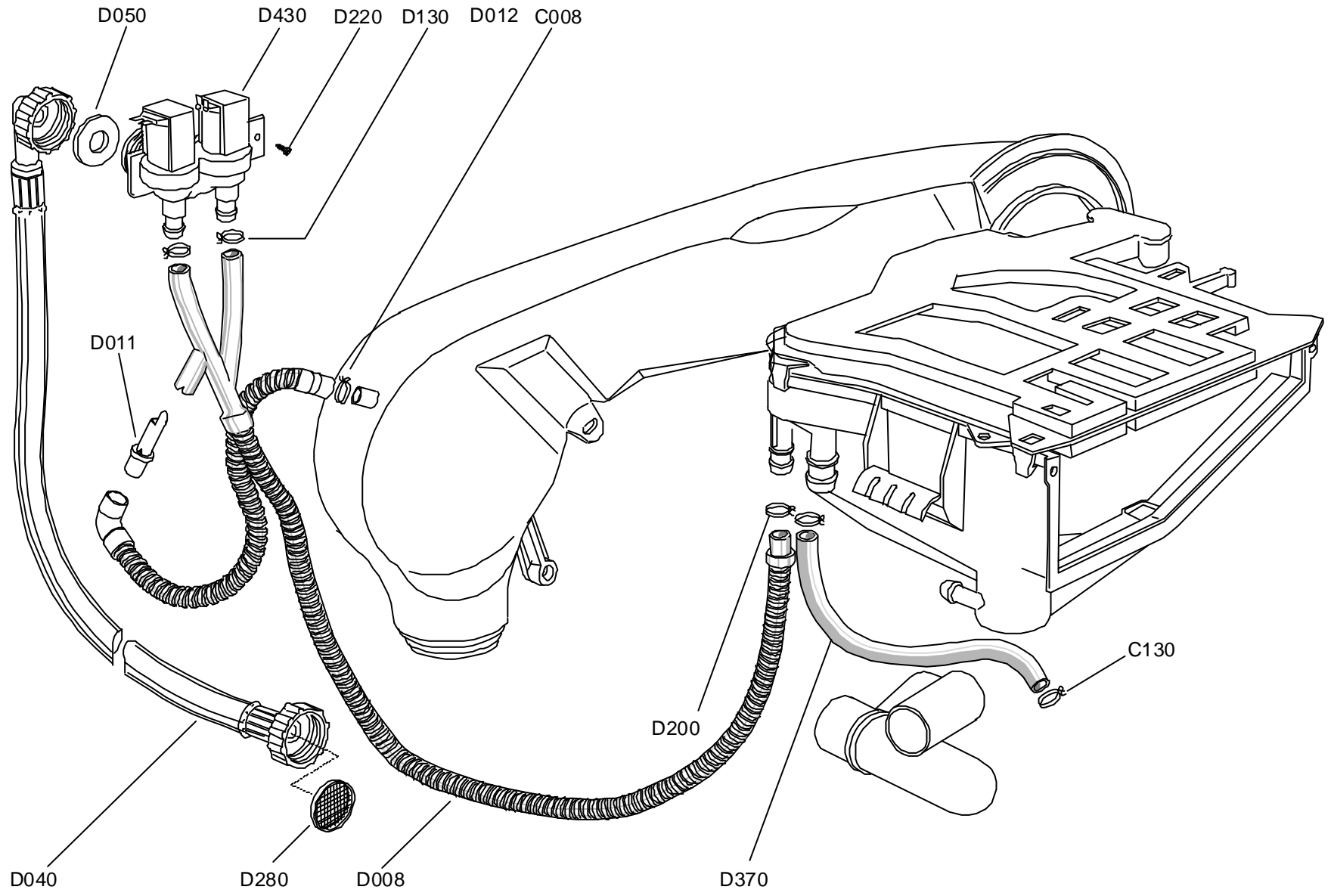
999024108



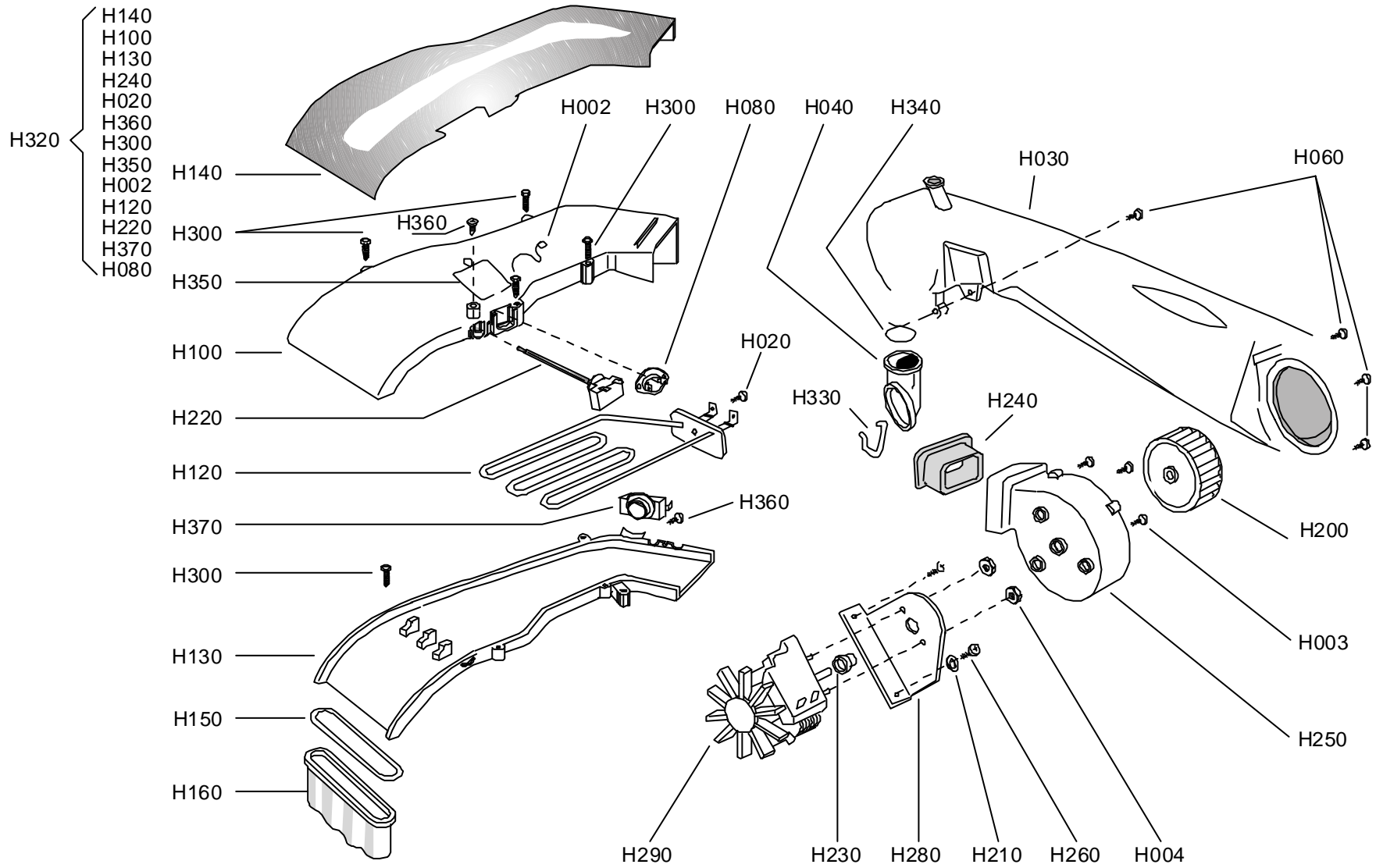
999024109



999024149

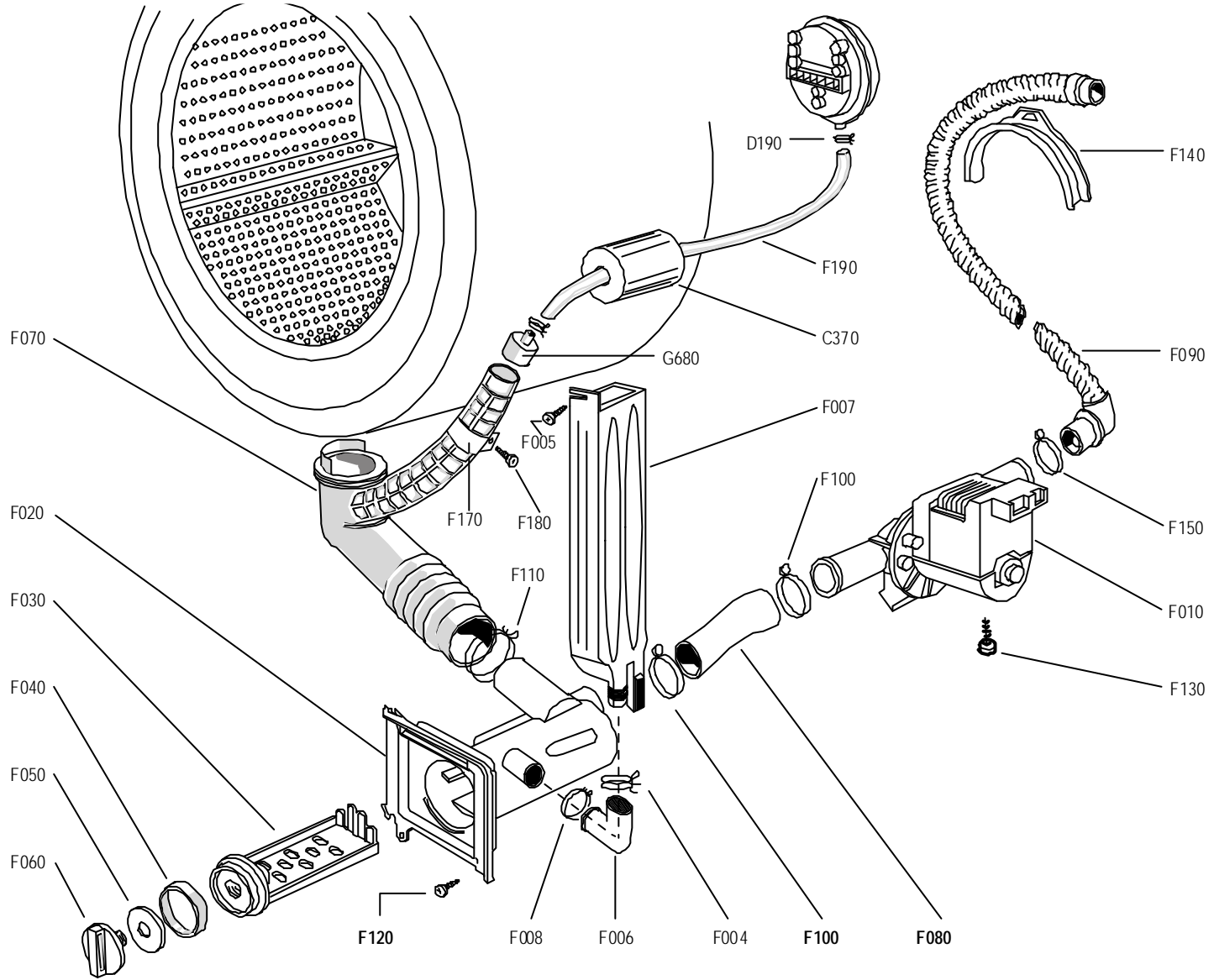


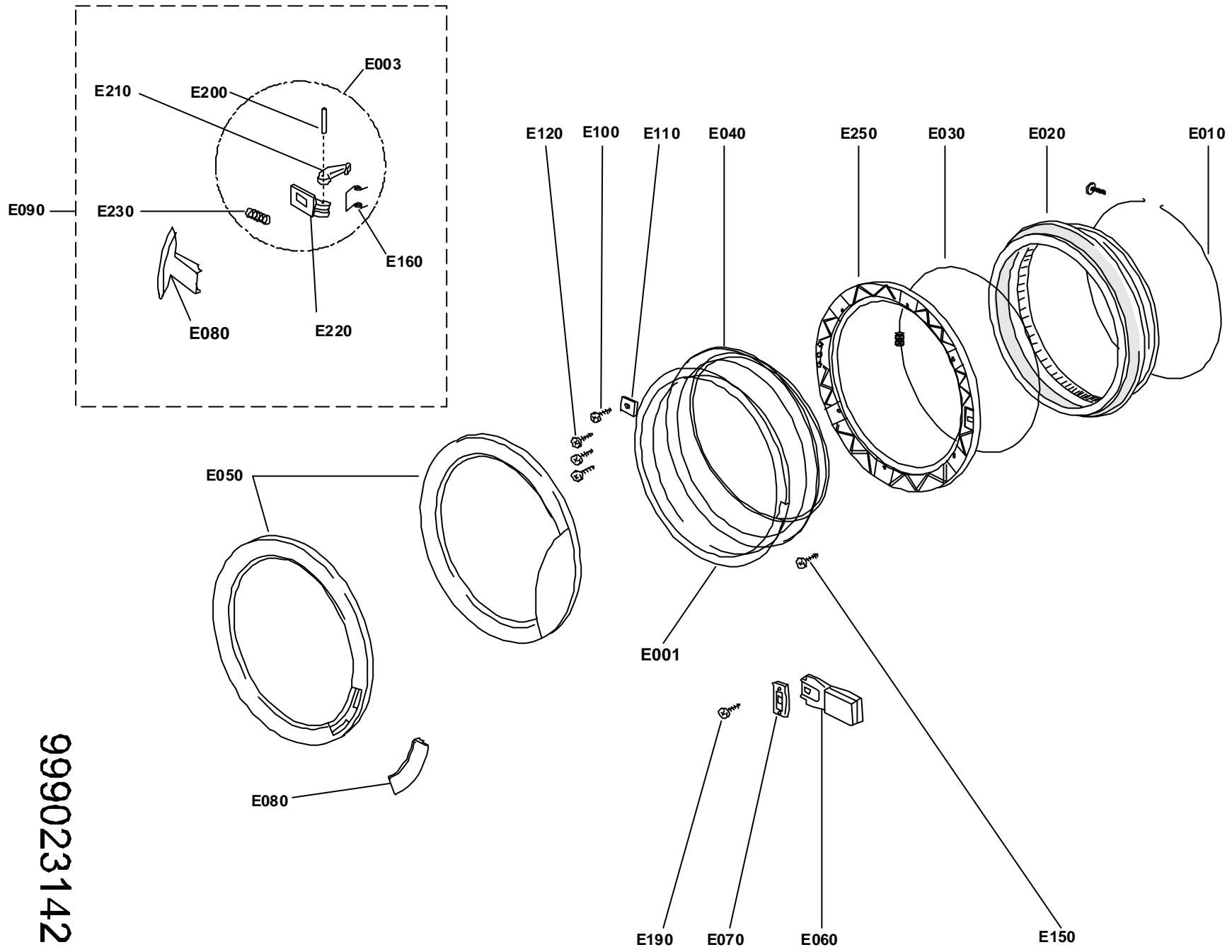
999024150



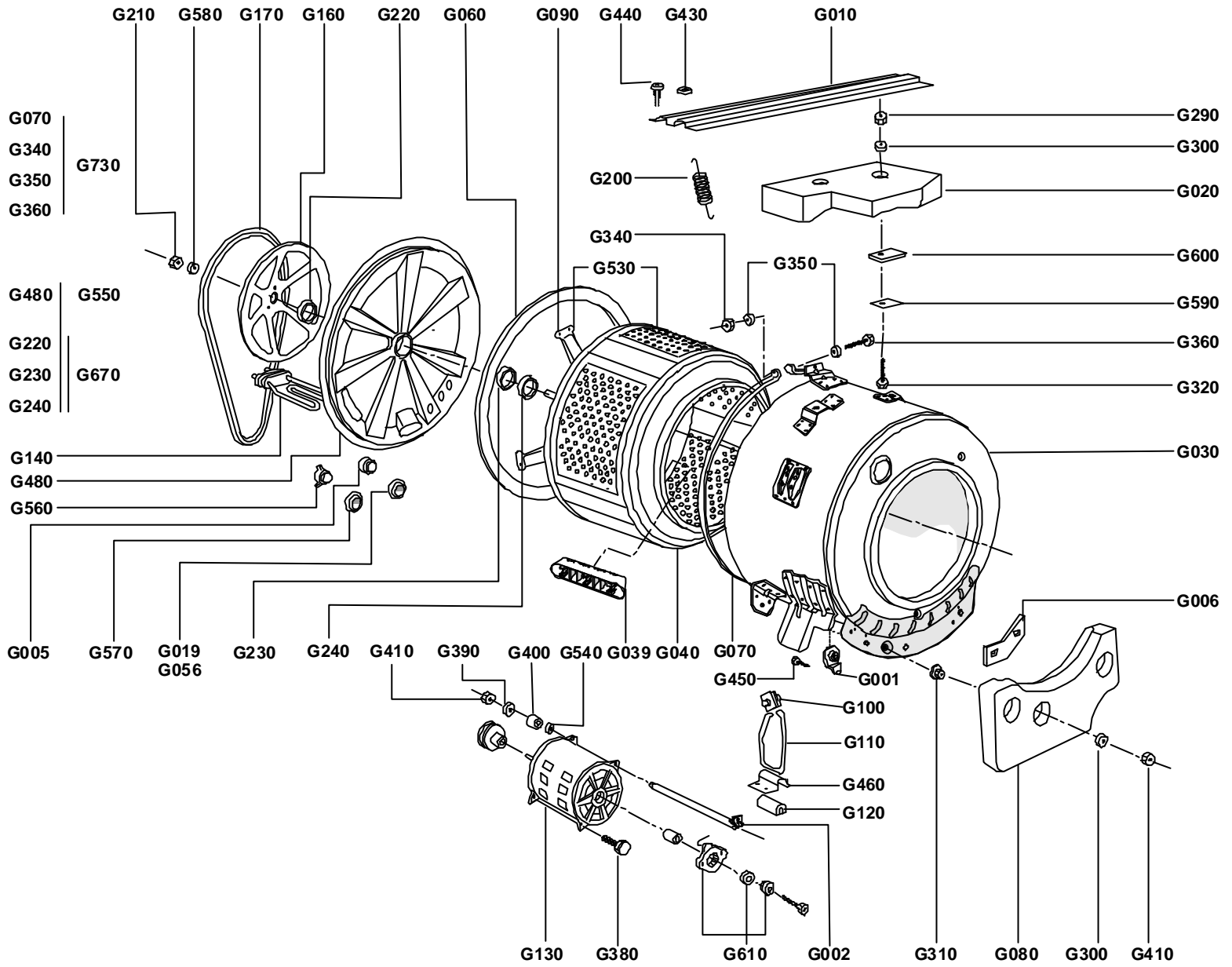


999024148



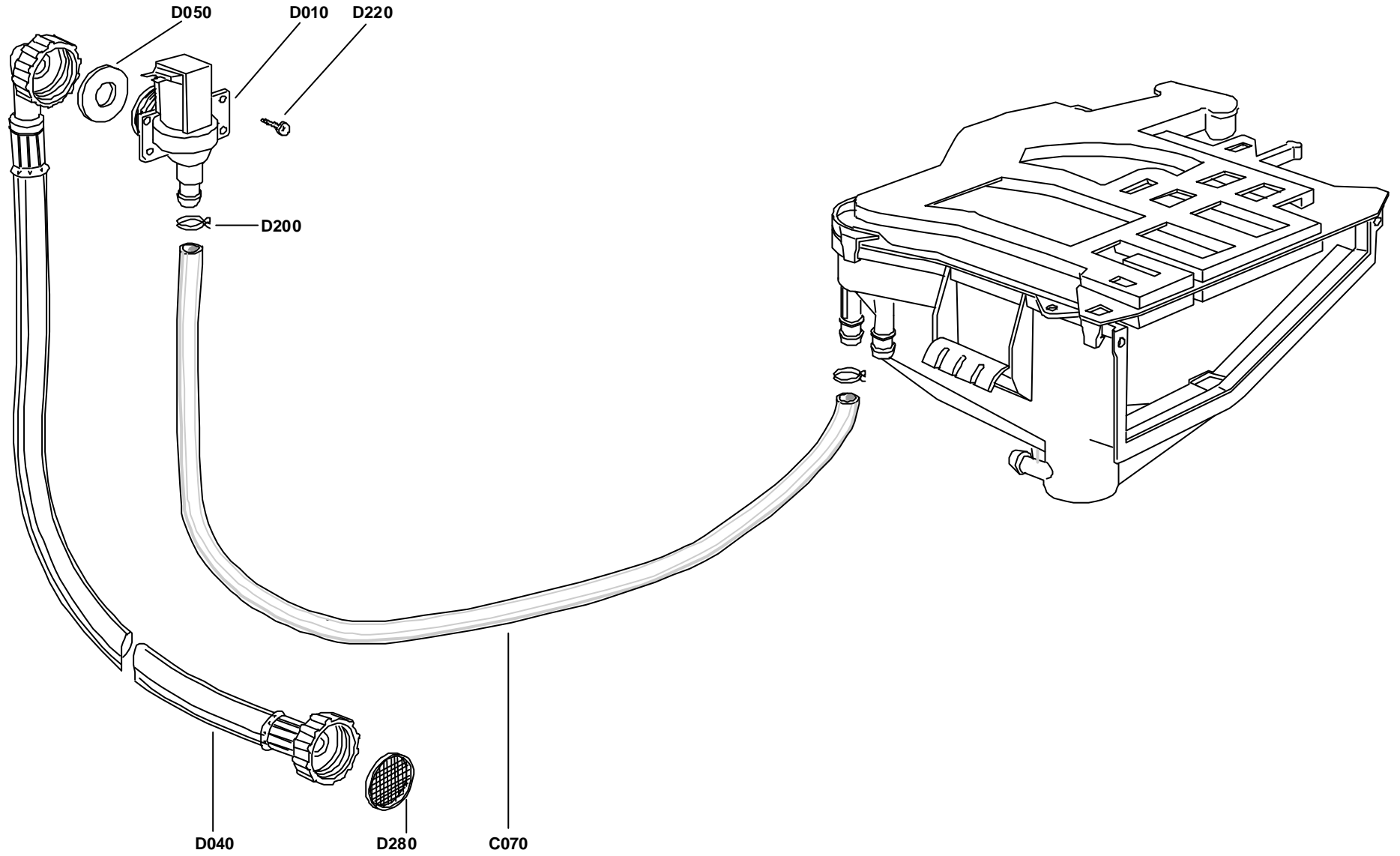


999023142



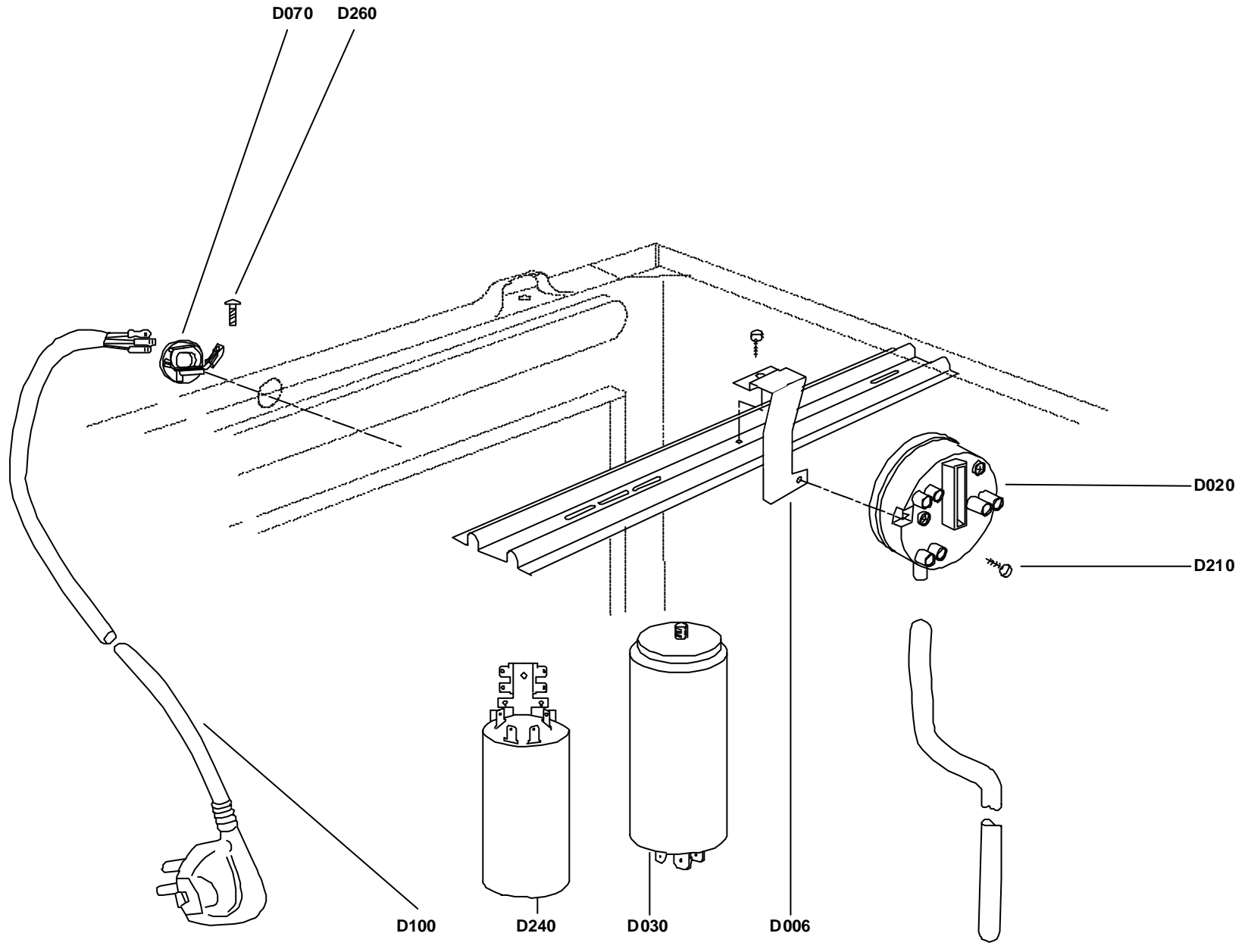
999031011

999023146





999024147



Model: SW5L30D N.Ref.: 996034000 NIF: A08115800  
EDGESTAR SW5L30D

Code Esp.	N.Ref.	Item Description	Quantity Of Pieces	Expiry Date	Unit Price
CFA010	D710045901	CABINET	1		68
CFA015	D432004600	NOISE FILTER FIXING SCREW	2		1
CFA020	D721079300	UPPER TOP	1		31
CFA024	D432024300	SCREW FOR UPPER TOP-FRONT	3		1
CFA030	D276018800	REAR TOP	1		13
CFA040	D246021700	HINGE	1		10
CFA050	D720149300	LEVELLING FOOT	4	01.04.2005	4
CFA050	D720330200	LEVELLING FOOT	4		3
CFA070	D432004900	SCREW FOR UPPER TOP	2		1
CFA080	D432004600	SCREW FOR REAR TOP	8		1
CFA100	D398143100	HOOK FOR WIRING SUPPORT	1		3
CFA110	D398026100	HOOK FOR WIRING SUPPORT	1		2
CFA110	D398106100	HOOK FOR WIRING SUPPORT	2		1
CFA110	D398106200	HOOK FOR WIRING SUPPORT	3		1
CFA130	D398105400	DRAIN SUPPLY HOSE CLAMP	1		2
CFA130	D398105500	DRAIN SUPPLY HOSE CLAMP	2		2
CFA140	D398140900	FILTER COVER	1		3
CFA180	D366010400	BASE	1		12
CFA200	D368032300	CARD HOLDER BOX	1		10
CFA210	D546038800	ELECTRONIC MODULE	1		31
CFA220	D432004600	CARD HOLDER BOX FIXING SCREW	2		1
CFA240	D438003300	DOOR HINGE RIVET	4		1
CFA320	D720237100	MODULE HOLDER BOX UNIT	1		10
CFB002	D432009400	FIXING SCREWS FOR POTENTIOMETER	2	01.04.2005	1
CFB002	D432031800	FIXING SCREWS FOR POTENTIOMETER	2		1
CFB003	D502004800	POTENTIOMETER	1		10
CFB010	D804659536	FRONT TRIM	1		20
CFB020	D516016901	TIMER	1		36
CFB040	D522004500	PUSH BUTTON SWITCH	1		10
CFB040	D522004600	PUSH BUTTON SWITCH	1		10
CFB040	D522005000	PUSH BUTTON SWITCH	1		7
CFB040	D522005100	PUSH BUTTON SWITCH	2		10
CFB050	D326100800	TIMER KNOB WITH DISPENSER CAM	1		3
CFB070	D330078500	COVER OF TIMER KNOB	1		2
CFB080	D326102300	THERMOSTAT KNOB	2		3
CFB090	D330078600	COVER OF THERMOSTAT KNOB	2		2
CFB100	D540003100	PILOT LAMP	1	05.05.2005	7
CFB100	D540006600	PILOT LAMP	1		7
CFB120	D430011500	TIMER SCREW	2		1
CFB140	D434000700	TIMER NUT	1		1
CFB190	D402008800	ADJUSTABLE THERMOSTAT GASKET	2		2
CFB250	D346018000	LED	1		2
CFB260	D332039600	PUSHBUTTON	5		2
CFB290	D432004600	FRONT TRIM FIXING SCREWS	4		1
CFB430	D536003600	TIMER	1		26
CFB440	D430008000	TIMER FIXING SCREW	2		1
CFB500	D428001600	TIMER FRONT TRIM PACKING	1		3
CFB560	D444003200	PROGRAMMER-THERMOSTAT-TIMER KNOB SPRING	6		2
CFB630	D810235700	TIMER/THERMOSTAT KNOB CENTRE BODY	2		3
CFB640	D810235600	TIMER KNOB CENTRE BODY	1		3
CFC008	D440003300	TANK-CONVEYOR HOSE CLAMP	1		2
CFC010	D728004600	DETERGENT BOX COMPARTMENT	1		10
CFC020	D330062600	DETERGENT COMPARTMENT COVER	1		12
CFC030	D398104600	DETERGENT DRAWER	1		10
CFC040	D806296900	DETERGENT DRAWER HANDLE	1		12
CFC050	D330062800	BLEACHING COMPARTMENT SHELF	1		3
CFC060	D402009400	DETERGENT SUPPLY PIPE COUPLING	1		10
CFC090	D444001800	DRAWER SPRING	1		3

Code Esp.	N.Ref.	Item Description	Quantity Of Pieces	Expiry Date	Unit Price
CFC120	D432016900	SCREW FOR DETERGENT COMPARTMENT COVER	1		1
CFC130	D440000200	SUPPLY HOSE CLAMP	4		2
CFC140	D440000600	HOSE CLAMP FOR DETERGENT LOADING BELLOWS	1		2
CFC150	D432008800	SCREW FOR DETERGENT COMPARTMENT	4		1
CFC170	D398104700	DISPENSER	1		3
CFC180	D499015000	DISPENSER OPERATING LEVER	1		1
CFC200	D442005800	DISPENSER ROD	1		2
CFC210	D499001500	RETURN LEVER	1		3
CFC220	D398159000	RETURN LEVER STOP	1		2
CFC230	D444000700	SPRING FOR DISPENSER ROD	1		2
CFC240	D432018600	SCREW FOR RETURN-LEVER STOP	3		1
CFC370	D407005400	PIPE PROTECTION SPONGE	2		1
CFD008	D398211300	DOUBLE ELECTRO-VALVE PIPE CONNECTION	1		1
CFD012	D398211400	TRANSFER FEED PIPE	1		1
CFD020	D520007200	PRESSURE CUT-OFF SWITCH	1		10
CFD021	D398213800	WATER RECIRCULATION PIPE COUPLING	1		1
CFD030	D532001300	CONDENSER	1		31
CFD040	D408003900	WATER SUPPLY HOSE	1		10
CFD050	D402009100	SUPPLY PIPE GASKET	1		2
CFD070	D398025800	CABLE CLAMP	1		4
CFD100	D508017000	SUPPLY CABLE	1		10
CFD200	D440000200	ELECTROVALVE CLAMP E	3		2
CFD210	D432004600	PRESSURE CUT-OFF SWITCH-BRACKET SCREW	1		1
CFD210	D432016800	PRESSURE CUT-OFF SWITCH-BRACKET SCREW	1		1
CFD220	D430015500	SCREW FOR ELECTROVALVE	2		1
CFD240	D532004300	ANTIDISTURBANCE FILTER	1		10
CFD260	D432003700	CABLE CLAMP SCREW	1		1
CFD370	D414011900	AIR-BREAK FILTER	1		10
CFD430	D534001900	DOUBLE ELECTROVALVE	1		10
CFE001	D398094900	DISC FOR DOOR PROTECTION	1		7
CFE010	D441006200	RING CLAMP WITH SCREW FOR DOOR GASKET	1		5
CFE020	D404001200	DOOR GASKET	1		26
CFE030	D441019600	SAFETY RING FOR DOOR GASKET	1		2
CFE040	D493001600	DOOR GLASS	1		26
CFE050	D338000105	OUTER DOOR FRAME	1		20
CFE050	D338003401	OUTER DOOR FRAME	1	01.02.2005	20
CFE060	D530001500	MICROSWITCH OR DOOR BLOCK	1		12
CFE080	D324003642	DOOR HANDLE	1		3
CFE090	D719007001	DOOR HANDLE UNIT	1	01.02.2005	12
CFE090	D719007503	DOOR HANDLE UNIT	1		10
CFE100	D432003400	SCREW FOR DOOR GLASS INSERT	6		1
CFE110	D266006300	DOOR GLASS INSERT	6		2
CFE120	D432026700	SCREW FOR DOOR HINGE	3	01.04.2005	1
CFE120	D432034000	SCREW FOR DOOR HINGE	3		1
CFE150	D432025700	DOOR CATCHRETURN SPRING SCREW	2		1
CFE160	D444008500	DOOR CATCH RETURN SPRING	1		2
CFE190	D432009400	SCREW FOR DOOR CATCH PLATE	2		1
CFE200	D443012200	DOOR HANDLE PIN	1		1
CFE210	D398178900	DOOR HANDLE CATCH	1		2
CFE230	D444016200	SAFETY SPRING FOR DOOR HANDLE	1		2
CFE250	D344002100	DOOR SUBFRAME	1		12
CFF004	D440003200	NON-OVERFLOW COUPLING TUBE CLAMPS	1		2
CFF005	D432004600	NON-OVERFLOW HOSE FIXING SCREWS	1		1
CFF006	D402013700	COUPLING TUBE NON-OVERFLOW-FILTER CASING	1		5
CFF007	D356002600	NON-OVERFLOW HOSE	1		10
CFF008	D440000400	COUPLING FILTER CASING CLAMPS	1		2
CFF010	D518004400	ELECTROPUMP	1	08.03.2005	20
CFF010	D518004401	ELECTROPUMP	1		27
CFF020	D398148600	FILTER BODY	1		10
CFF030	D398019200	FILTER DRAWER	1		7
CFF040	D402004100	FILTER GASKET	1		2



Code Esp.	N.Ref.	Item Description	Quantity Of Pieces	Expiry Date	Unit Price
CFF050	D441018400	FILTER RING	1		2
CFF060	D350003500	FILTER CAP	1		3
CFF070	D402038600	DRAIN OUTLET BEND	1		10
CFF080	D398013000	FILTER-PUMP CONNECTION	1		4
CFF090	D414004300	DRAIN PIPE	1		12
CFF100	D440000500	HOSE CLAMP CONNECTION FOR FILTER-PUMP	2		2
CFF110	D440001700	HOSE CLAMP FOR DRAIN OUTLET BEND	1		2
CFF120	D432008700	FILTER BODY SCREW	2		1
CFF130	D432009800	ELECTROPUMP SCREW	2		1
CFF140	D398019400	U BOLT FOR DRAIN PIPE BEND	1		5
CFF150	D440000400	DRAIN PIPE HOSE CLAMP	1		2
CFF190	D414013900	PRESSURE SWITCH PIPE	1		2
CFF190	D720334800	PRESSURE SWITCH PIPE	1		2
CFG001	D441028500	MOTOR FIXING SPLIT PIN	1		2
CFG002	D443013200	MOTOR FIXING PIN	1		4
CFG005	D526011900	THERMO-RESISTANCE	1	28.04.2005	10
CFG005	D526011900	THERMO-RESISTANCE	1		10
CFG005	D526011900	THERMO-RESISTANCE	1	01.01.2005	10
CFG010	D258002100	SPRING HOOK CROSSPIECE	1		7
CFG020	D490000700	UPPER COUNTERWEIGHT	1	09.01.2006	7
CFG020	D490011600	UPPER COUNTERWEIGHT	1		7
CFG030	D726011400	TUB	1		63
CFG037	D432016700	MOTOR PIN FIXING SCREW	1		1
CFG039	D398101400	DRUM PADDLE	4		7
CFG060	D402004300	TUB GASKET	1		10
CFG070	D441016900	LOCKING-RING FOR TUB	1		12
CFG080	D490005600	BOTTON COUNTERWEIGHT	1		12
CFG090	D236012300	DRUM FLANGE	1		50
CFG100	D499004900	FRICITION PADS	4		4
CFG110	D444000600	DAMPER SPRING	2		7
CFG120	D441009700	DAMPER BUSH	2		2
CFG130	D512019100	MOTOR	1		58
CFG140	D524018600	HEATING ELEMENT	1		10
CFG160	D268006700	PULLEY PIPING	1		13
CFG170	D416002300	BELT	1		20
CFG200	D444017600	SUSPENSION SPRING FOR TUB	1		3
CFG200	D444018700	SUSPENSION SPRING FOR TUB	1		3
CFG210	D434000300	PULLEY NUT	1		1
CFG220	D446000200	BEARING	1		10
CFG230	D446000300	BEARING	1		12
CFG240	D441017500	SEALING RING	1		5
CFG290	D434002100	NUT COUNTERWEIGHT	5		1
CFG300	D436008500	COUNTERWEIGHT WASHER	5		1
CFG300	D436013600	COUNTERWEIGHT WASHER	5	10.05.2005	1
CFG310	D398105200	BOSS COUNTERWEIGHT	3		1
CFG320	D430007100	SCREW FOR UPPER COUNTERWEIGHT	1		1
CFG320	D430007600	SCREW FOR UPPER COUNTERWEIGHT	1		1
CFG340	D434002100	TUB RING NUT	1		1
CFG350	D436000500	TUB RING WASHER	1		1
CFG360	D430025600	TUB LOCKING-RING SCREW	1		1
CFG380	D430014000	MOTOR SCREW	1		1
CFG400	D441022600	MOTOR BUSH	3	01.04.2005	2
CFG400	D441031400	MOTOR BUSH	3		2
CFG410	D434002100	MOTOR NUT	1		1
CFG430	D499003600	SPRING FIXING RING	2		3
CFG440	D432004600	SPRING CROSS PIECE SCREW	4		1
CFG450	D430018800	LOWER COUNTERWEIGHT SCREW	3		1
CFG460	D268003500	DAMPER CONNECTING PLATE	2		3
CFG480	D716008900	TUB COVER	1		53
CFG530	D720386700	FLANGE + BASKET UNIT	1		90
CFG540	D428012500	MOTOR FIXING SPACER	1		1

Code Esp.	N.Ref.	Item Description	Quantity Of Pieces	Expiry Date	Unit Price
CFG550	D718009600	BOTTOM UNIT AND BEARING	1		66
CFG560	D526001300	FIXED THERMOSTAT	1		10
CFG580	D436001300	PULLEY WASHER	1		1
CFG590	D266005900	COUNTERWEIGHT SUPPORT PLATE	2		3
CFG600	D402006400	COUNTERWEIGHT BOLT FIXING GASKET	2		2
CFG670	D720023700	COMPLETE BEARINGS SET	1		14
CFG730	D720145600	LOCKING-RING ASSEMBLY	1		10
CFH002	D444011800	SMALL TUMBLER SPRING FOR THERMOSTAT	1		1
CFH003	D432009400	SCREW FOR FIXING SCROLL TO FAN MOTOR BRA	3		1
CFH004	D434006300	FAN MOTOR FIXING NUT	2		1
CFH020	D430013600	HEATING ELEMENT FIXATION SCREW	1		1
CFH030	D720125900	PLASTIC AIR CONVEYOR	1		13
CFH040	D402014000	RUBBER SLEEVE FOR AIR PIPE	1		10
CFH060	D432015900	STEAM CONDENSER FIXING SCREW	4		1
CFH080	D526029800	SAFETY THERMOSTAT	1		10
CFH100	D368016500	TOP ALUMINIUM AIR CONVEYOR	1		31
CFH120	D524009600	BOTTOM DRYER HEATING ELEMENT	1		10
CFH130	D368016600	BOTTOM ALUMINIUM AIR CONVEYOR	1		26
CFH140	D179001900	THERMIC CONVEYOR INSULATION	1		6
CFH150	D444020700	CONVEYOR SPRING SEAL	1		2
CFH160	D402003400	RUBBER CONVEYOR	1		10
CFH200	D268010200	WASHER-DRYER FAN	1		13
CFH210	D436001000	ARCHIMEDEAN SCREW SUPPORT WASHER	2		1
CFH220	D526029700	WORKING THERMOSTAT	1		13
CFH230	D402007800	ARCHIMEDEAN SCREW AND SHAFT GASKET	1		2
CFH240	D402017000	FAN ARCHIMEDEAN SCREW GASKET	1		2
CFH250	D398095500	FAN ARCHIMEDEAN SCREW	1		7
CFH260	D432011500	SCREWS FOR FIXING SUPPORT TO TUB	2		1
CFH280	D260002800	ARCHIMEDEAN SCREW MOTOR SUPPORT	1		4
CFH290	D512012401	FAN MOTOR	1		20
CFH300	D432006400	BOTTOM CONVEYOR TUB FIXING SCREWS	3		1
CFH300	D432006600	BOTTOM CONVEYOR TUB FIXING SCREWS	1		1
CFH320	D720174500	HEATING ELEMENT BOX UNIT	1		53
CFH330	D444002400	AIR PIPE SLEEVE SPRING	1		5
CFH340	D440001400	AIR PIPE SLEEVE BAND	1		2
CFH350	D444010600	THERMOSTAT FIXING SPRING	1		4
CFH360	D432004600	THERMOSTAT SCREW	3		1
CFH370	D526011300	THERMOSTAT	1		7
CFH70	D432026500	TORNILLO AUTOENR. TCB D=3,9 H=16 CROSS Z	1		1
CFZ010	D432027500	PACKING SCREWS	4		1
CFZ030	D470006200	RUBBER PACKING CAP	4		2
CFZ040	D470004600	PLASTIC PACKING SPACER	4		3
CFZ280	D470016000	BOTTOM SHELL FOR PACKAGING	1		12
CFZ290	D470016100	TOP SHELL FOR PACKAGING	1		10
CFZ300	D476011100	FRONT RIGHT-LEFT ANGLE	2		3
CFZ300	D476026100	FRONT RIGHT-LEFT ANGLE	2		3